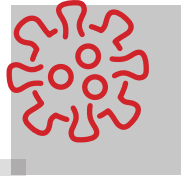


Special Hand Hygiene Products





Dispensers for soap and sanitizer gel

HYGIENIC

No touch dispenser with sensor or lever

NO WASTE

Fixed quantity of gel dispensed

HIGH CAPACITY - REDUCED MAINTENANCE

Can contain up to 900 ml of soap or gel

SECURE

Key lock



115 SOAP DISPENSER

- > Consumable: Liquid soap or gel
- > Material: Backplate: 100% regenerated first choice ABS, Cover: High Impact PS – 25% recycled
- > Packaging: 1 piece/box

115 SOAP DISPENSER SENSOR

- > 340600/005 - 115 B Liquid soap SiCC cartridge 750 ml
- > 340600/006 - 115 B Foam soap SiCC cartridge 750 ml
- > 340600/007 - 115 RB Refill 900 ml Liquid/Gel pump
- > 340600/107 - 115 RB Refill 900 ml Liquid/Gel pump completely grey version
- > 340600/011 - 115 RB Refill 900 ml Spray pump
- > Batteries: 6 x LR6 (AA) Alkaline (not included)
- > Sensing delay: 0,5 - 1 second
- > Dropsize: Ca. 1,5 ml
- > Product dimensions (WxHxD): 120 x 280 x 110 mm

115 SOAP DISPENSER MANUAL

- > 340600/001 - 115 B Liquid soap SiCC cartridge 750 ml
- > 340600/002 - 115 B Foam soap SiCC cartridge 750 ml
- > 340600/003 - 115 RB Refill 900 ml Liquid/Gel pump
- > 340600/010 - 115 RB Refill 900 ml Spray pump
- > Product dimensions (WxHxD): 120 x 335 x 110 mm

115 SOAP DISPENSER WITH ELBOW LEVER

- > 340600/009 - 115 BH Liquid soap SiCC cartridge 750 ml
- > 340600/012 - 115 BH Foam soap SiCC cartridge 750 ml
- > 340600/008 - 115 RBH Refill 900 ml Liquid/Gel pump
- > 340600/013 - 115 RBH Refill 900 ml Spray pump
- > Product dimensions (WxHxD): 165 x 320 x 145 mm

110 SOAP DISPENSER

- > Consumable: Liquid soap or gel
- > Material: Backplate: 100% regenerated first choice ABS,
Cover: High Impact PS – 25% recycled
- > Packaging: 1 piece/box

110 RBH/BH SOAP DISPENSER WITH LEVER

- > 340408/002 - 110 RBH - Refill 700 ml
- > 340407/002 - 110 BH - Liquid soap SiCC cartridge 750 ml
- > Product dimensions (WxHxD): 120 x 250 x 100 mm



110 RB/B SOAP DISPENSER

- > 340405/002 - 110 B Liquid soap SiCC cartridge 750 ml
- > 340406/002 - 110 RB - Refill 700 ml
- > Pallet: 420 pieces
- > Product dimensions (WxHxD): 120 x 250 x 100 mm

105 RB SOAP DISPENSER

- > 340500/001 - 105 RB Soap dispenser - Refill 350 ml
- > Pallet: 360 pieces
- > Product dimensions (WxHxD): 120 x 185 x 100 mm



Consumables: Refill

HYDROALCOHOLIC GEL INSTANT CLEANSER 70 GEL - Can of 5 L

- > 110215/002

PINK LIQUID DELUXE hand soap - Can of 5 L

- > 110214/001
- > Packaging: 2 pieces/box (136 per pallet)

Consumables: SiCC Cartridges

HYDROALCOHOLIC GEL INSTANT CLEANSER 70 GEL - SiCC 750 ml

- > 111414/012 (for 115)
- > 111414/011 (for 110)

PINK LIQUID DELUXE hand soap - SiCC 750 ml

- > 111411/002 (for 115)
- > 111411/001 (for 110)

E6 - CLEANSER hand soap - SiCC 750 ml

- > 111416/002 (for 115)
- > 111416/002 (for 110)

FOAM CRYSTAL BLUE hand soap - SiCC 700 ml

- > 111310/001 (for 115)
- > Packaging: 12 pieces/box (756 per pallet)





Stands for soap dispensers

HYGIENIC

Compatible with our sensor dispenser

VERSATILITY

Possibility to mount the stand on a wall

USER FRIENDLY

Plexiglass top for personalized instructions or messages

The stand is compatible with soap dispensers with a refill or cartridge option.

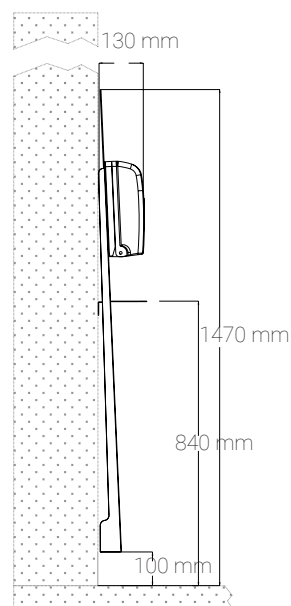
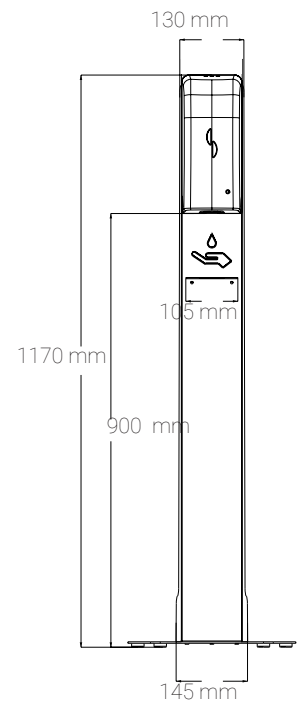


STAND FOR SOAP DISPENSER - WHITE STEEL

- > 289406/001
- > Material: Steel - Powder-Epoxy painting - Plain white RAL 9003
- Drop plate: INOX AISI 304

STAND FOR SOAP DISPENSER - BRUSHED INOX

- > 299406/001
- > Material: Brushed INOX AISI 304
- > Floor or wall mounting:
 - Screws, allen key and fixing plate included
- > Plexiglass top included
- > Rubber feet to ensure stability and hygiene (12 mm height)
- > Packaging: 2 boxes/ piece (1 box for the stand and 1 box for the accessories)
- > Product dimensions:
 - Column height : 1150 mm
 - Total height : ca. 1170 mm
 - Base : 325 x 300 mm





Hand Hygiene Table Stand

HYGIENIC

Automatic sensor dispenser - No touch
Antibacterial polycarbonate support

ELEGANT AND CLEAN

Modern design keeps surfaces **drop-free**

STRONG AND RELIABLE

Antibacterial polycarbonate and steel stand
Anti-shock ABS dispenser

MAXIMUM FLEXIBILITY

No fixed installation required
Can be positioned anywhere
and moved anytime

NO WASTE

Refill - No more disposable plastic bottles

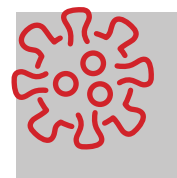
VERSATILE

Available for refill or cartridges
Spray or liquid pump available



HAND HYGIENE TABLE STAND SET Stand + Dispenser

- > 560508/001 - Liquid/Gel pump
- > 560508/002 - Spray pump
- > Material:
 - stand: Antibacterial glossy white (PC) & chromed steel (8 mm) with 4 feet (CAPILENE®)
 - dispenser: Anti-shock ABS glossy white
- > Weight (with batteries / without liquid): 1,620 kg
- > Consumable: Liquid soap or gel (not included)
- > Batteries: 6 x LR6 (AA) Alkaline (not included)
- > Sensing delay: 0,5 - 1 second
- > Dropsizes: Ca. 1,0 - 1,5 ml (according to viscosity)
- > Easy to fill: 900 ml tank with cover for better hygiene
- > Overall dimensions (WxHxD): 120 x 450 x 305 mm



Wall support for soap dispenser

ELEGANT AND CLEAN

Modern design that keeps surfaces drop-free

Wall support Antibacterial material

COMPATIBLE WITH

Sensor soap dispenser
Manual soap dispenser
Soap dispenser with lever

WALL SUPPORT (EXCL. DISPENSER)

- > 560506/001 - antibacterial (white PC)
- > 560506/002 - antibacterial (smoky grey PC)
- > 560506/020 - antibacterial (grey CAPILENE)
- > Material:
Solid antibacterial PC or antibacterial CAPILENE
- > Easy to install on the wall
- > Product dimensions (excl. dispenser)
WxHxD: 122 x 463 x 146 mm
- > Packaging: 2 pieces/box



